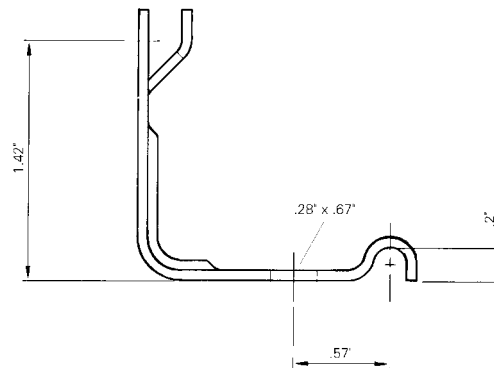
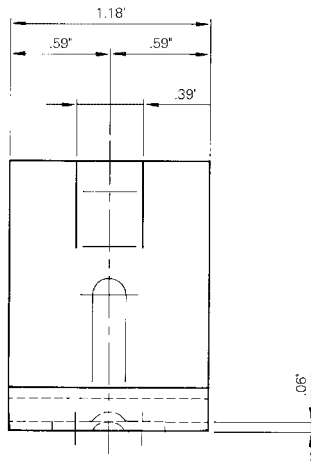
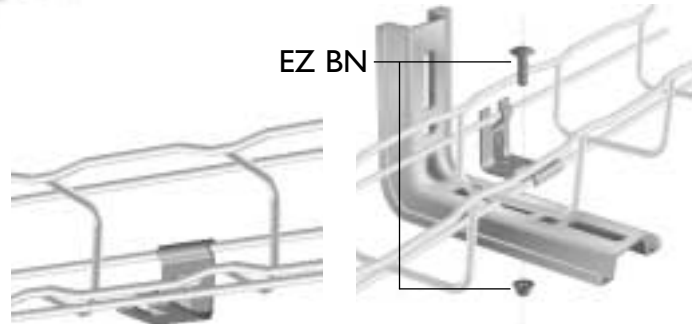
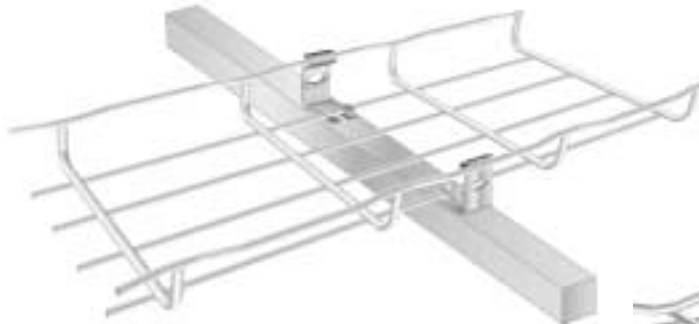
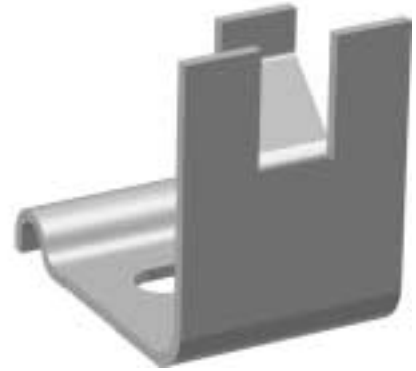


# CAT Snap in Wall Hanger Support

- Attaches 2" tray to wall.
- No screws required for tray attachment. Just snap in place.
- Corrosion resistant pre-galvanized finish.
- Can be used to support Cablofil to channel framing or to walls, etc.



Part #	Description	lb.	Pk. qty.
CAT 30	Snap-In Wall Hanger Support	0.1	1

**CABLOFIL** <sup>INC.</sup>

INNOVATORS IN CABLE MANAGEMENT

tel 314-588-8608  
 800-658-4641  
 fax 314-588-8611  
[www.cablofil.com](http://www.cablofil.com)