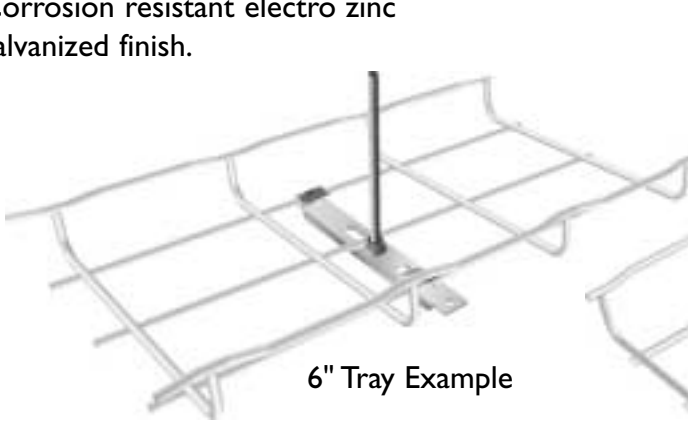
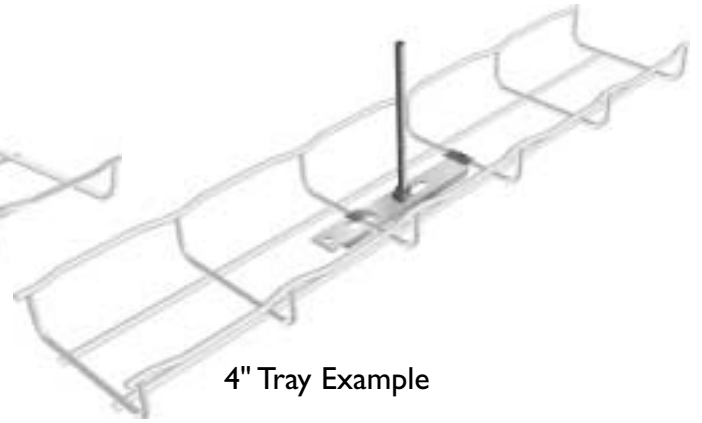


# SAS System Single Hanger Suspension Bracket

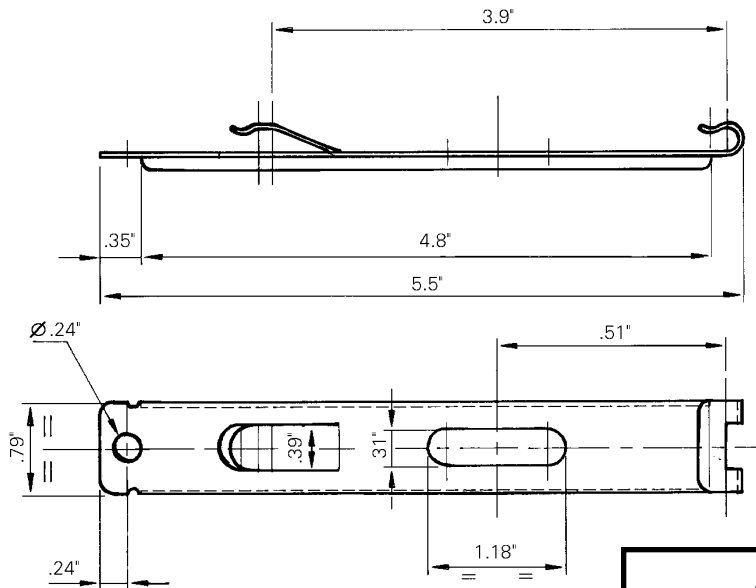
- For center hung mounting of 4" and 6" wide Cablofil. (use with 1/4" threaded rod)
- Snap in attachment requires no bolts, nuts, or tools to attach Cablofil.
- Corrosion resistant electro zinc galvanized finish.



6" Tray Example



4" Tray Example



Part #	Description	lb.	Pk. qty.
SAS	Single Hanger Suspension Bracket	.07	1

**CABLOFIL** <sup>INC.</sup>

INNOVATORS IN CABLE MANAGEMENT

tel 314-588-8608  
800-658-4641  
fax 314-588-8611  
www.cablofil.com