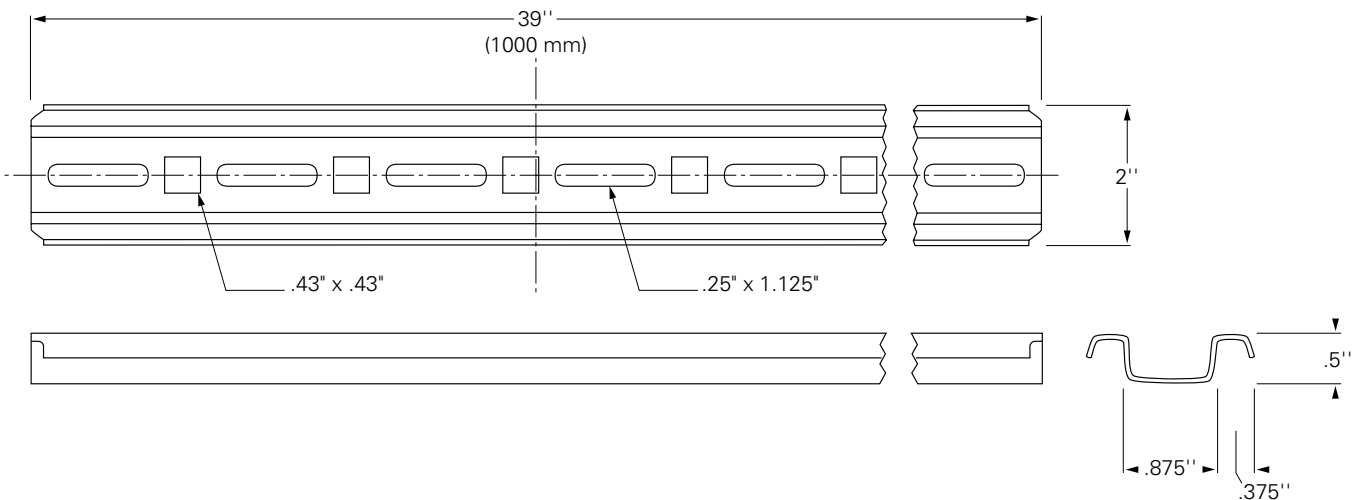
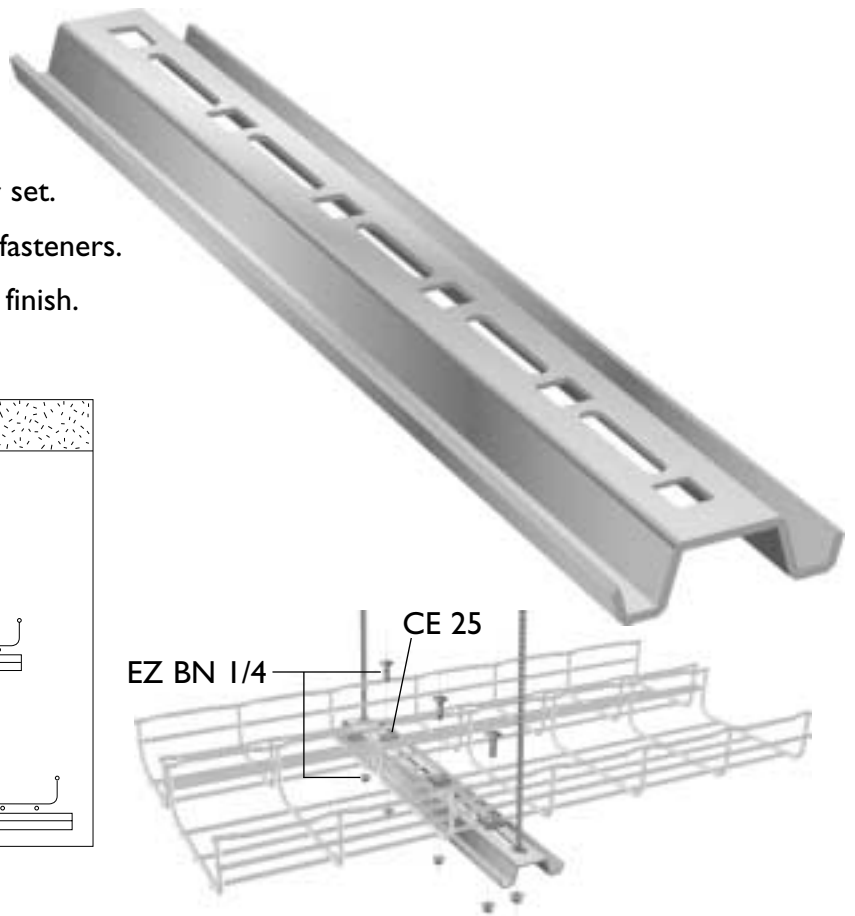
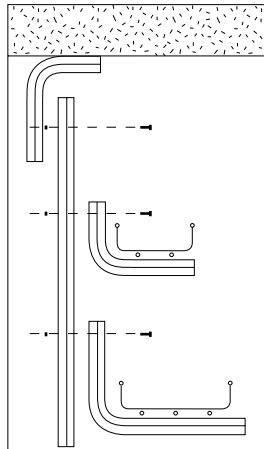


# CS Profile

- For trapeze mounting to ceilings.
- Use with tray widths up to 24".
- For widths up to 8", use 1 fastener set.
- For 12", 16" and 18" widths, use 2 fasteners.
- Corrosion resistant pre-galvanized finish.
- Can be cut to size on site.
- Square holes accept up to 3/8" rods.
- Can be used inconjunction with CS brackets for multi level Cablofil installation from ceilings.



Part #	Description	lb.	Pk. qty.
PRO CS 1000	39" Standard Profile (1000mm)	2.6	1

**CABLOFIL** <sup>INC.</sup>

INNOVATORS IN CABLE MANAGEMENT

tel 314-588-8608  
800-658-4641  
fax 314-588-8611  
www.cablofil.com