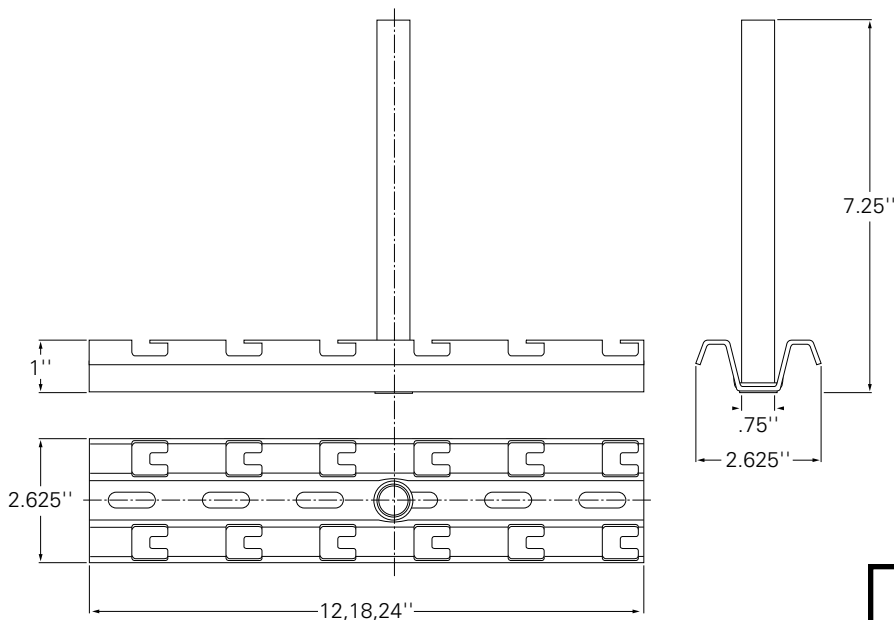
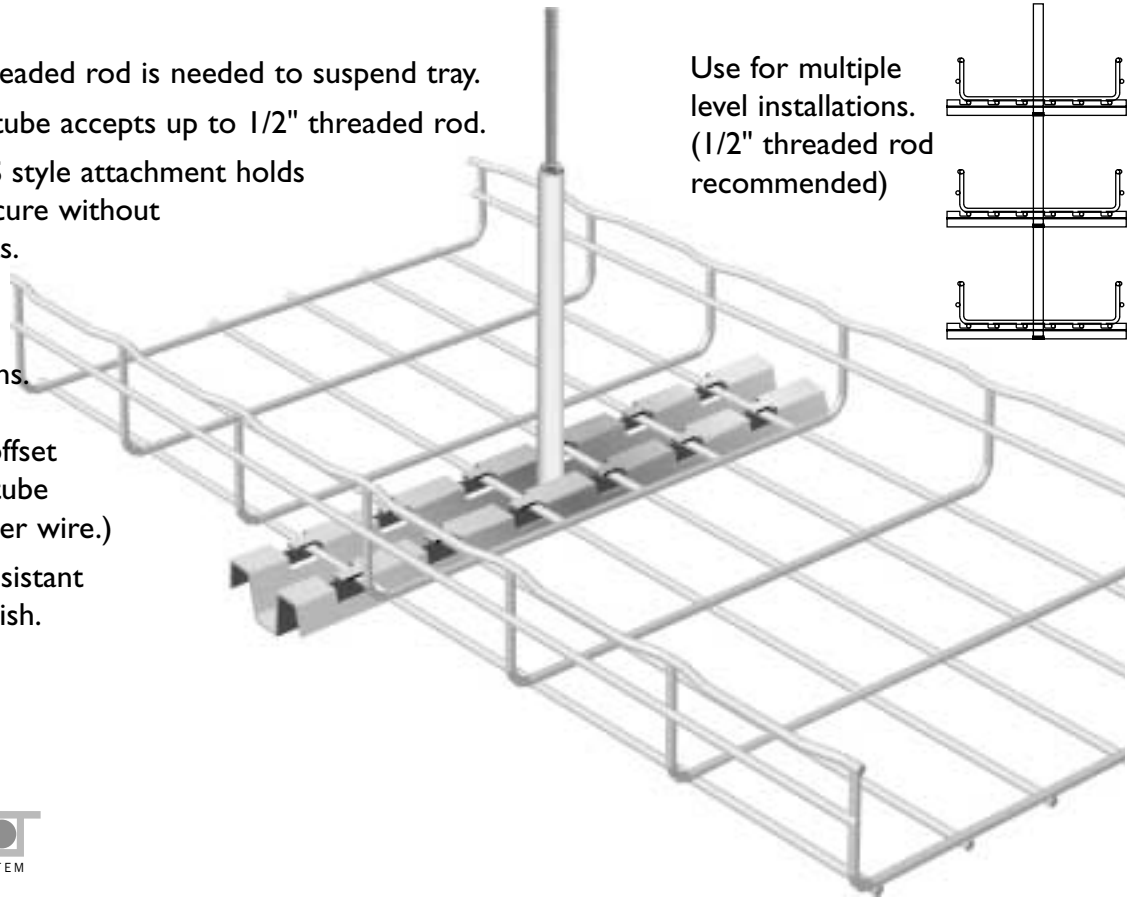
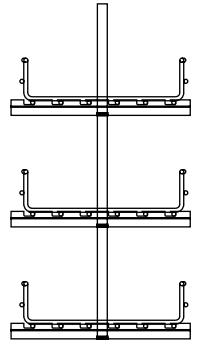


Center Hanger

- Only one threaded rod is needed to suspend tray.
- Stabilization tube accepts up to 1/2" threaded rod.
- Patented FAS style attachment holds cable tray secure without nuts and bolts.
- For use with 8" to 24" Cablofil widths. (18" Center Hanger has offset stabilization tube to avoid center wire.)
- Corrosion resistant galvanized finish.

Use for multiple level installations. (1/2" threaded rod recommended)



Part #	Description	lb.	Pk. qty.
FAS P300 CH*	12" Center Hanger	1.0	1
FAS P450 CH**	18" Center Hanger	1.4	1
FAS P600 CH	24" Center Hanger	2.8	1

* Note: For use with 12", 8", 16" wide trays.

** For use only with 18" wide tray.

CABLOFIL ^{INC.}

INNOVATORS IN CABLE MANAGEMENT

tel 314-588-8608
800-658-4641
fax 314-588-8611
www.cablofil.com