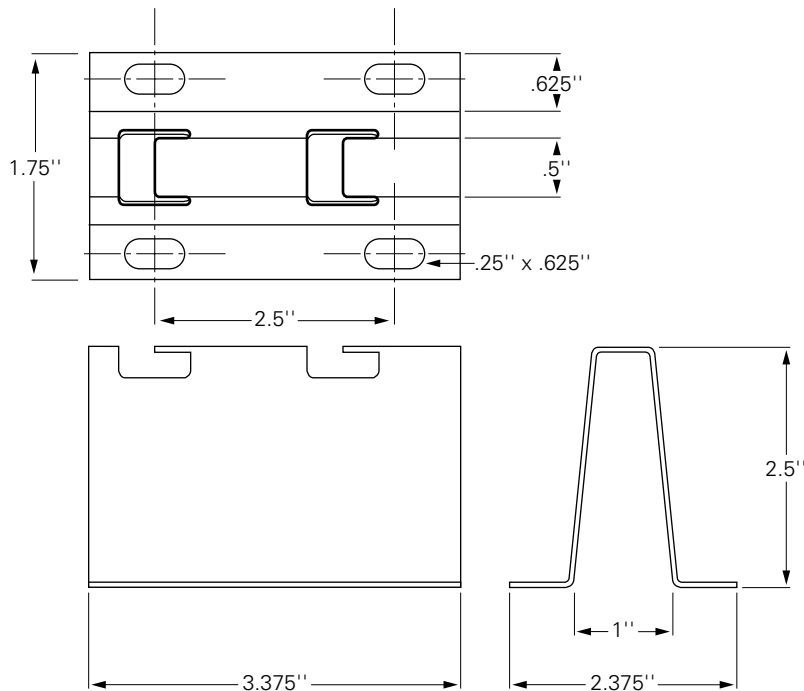
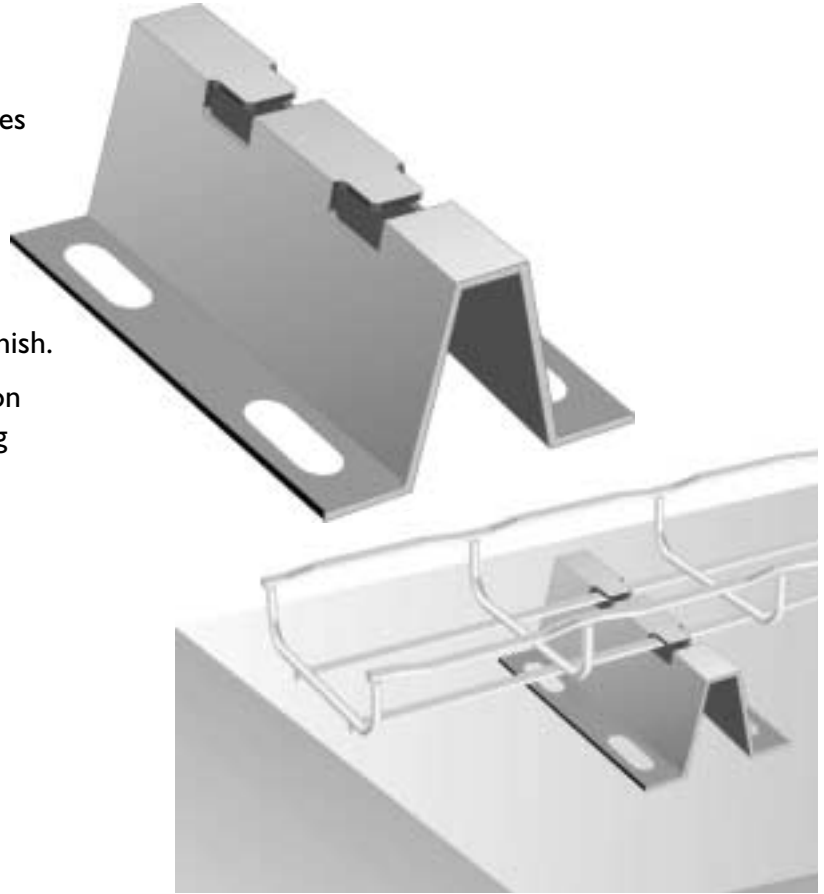


# UFS Under Floor Support Stand

- Predrilled mounting holes.
- Patented FAS style attachment secures tray without nuts and bolts.
- Use a single support for narrow tray widths – [up to 6"] use 2 for wider tray.
- Corrosion resistant pre-galvanized finish.
- Can be used as a stand off support on equipment cabinets to avoid covering ventilation fans.



Part #	Description	lb.	Pk. qty.
UFS 60/100	2" High Under Floor Support Stand	0.2	1

**CABLOFIL**<sup>®</sup>  
INC.

INNOVATORS IN CABLE MANAGEMENT

tel 314-588-8608  
800-658-4641  
fax 314-588-8611  
www.cablofil.com