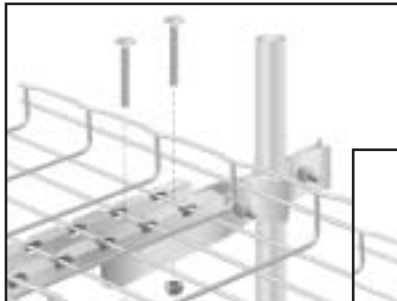
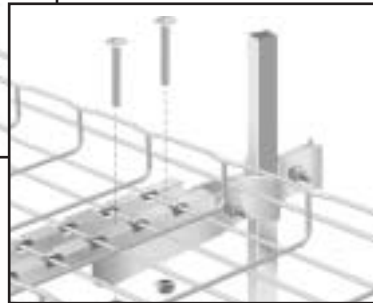


UFCN

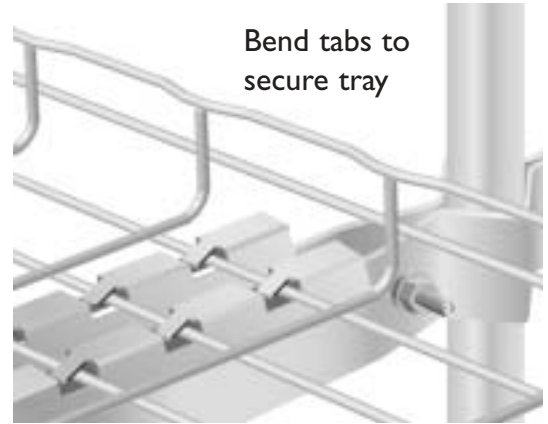
- Attaches to round or square access floor posts.
- Use with FAS Profile for support of up to 12" Cablofil wire cable tray.
- Each UFCN comes with 4 mounting bolts and nuts.
- Electro Zinc coated for superior corrosion resistance.



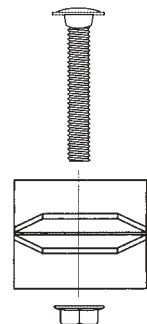
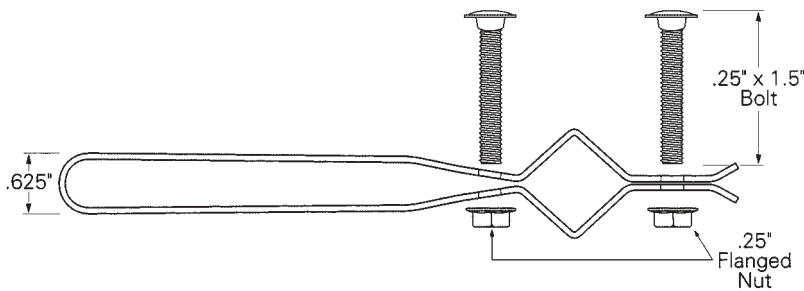
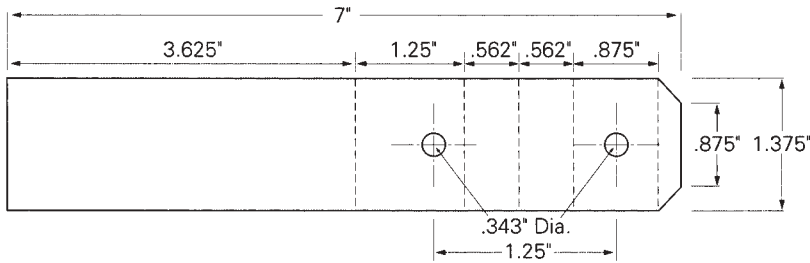
Secures to square posts



Secures to round posts



Bend tabs to secure tray



Part #	Description	lb.	Pk. qty.
UFCN	12" Underfloor Support	0.5	1

CABLOFIL ^{INC.}
INNOVATORS IN CABLE MANAGEMENT

tel 618-566-3230
 800-658-4641
 fax 618-566-3250
 www.cablofil.com