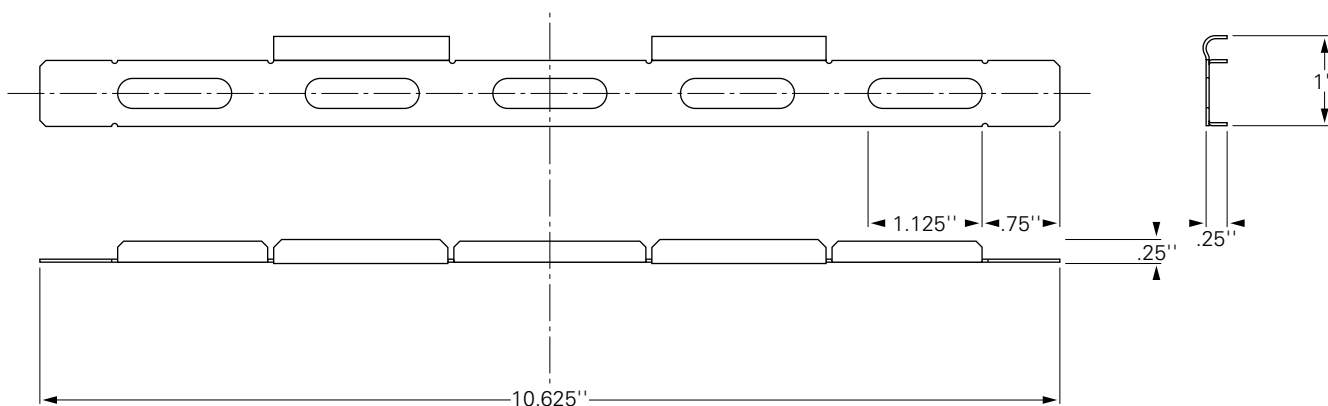
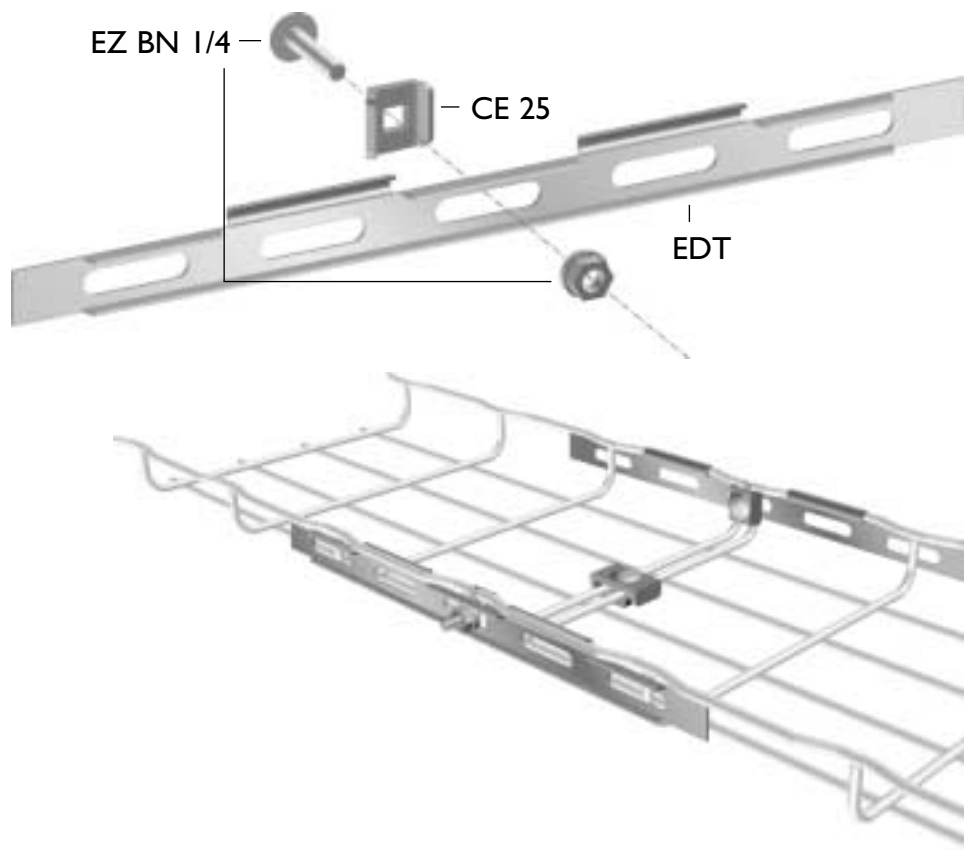


# EDT Splice Assembly

- Splices are specially designed to join two sections of CF 30 Cablofil.
- Other parts needed – EZ BN 1/4, CE 25, and CE 30. (sold separately)
- Electro zinc plated.
- Ideal for CF 30 cable trays.



Part #	Description	lb.	Pk. qty.
EDT EZB	EDT Splice Plate	7.7	50

**CABLOFIL** <sup>INC.</sup>

INNOVATORS IN CABLE MANAGEMENT

tel 314-588-8608  
800-658-4641  
fax 314-588-8611  
www.cablofil.com