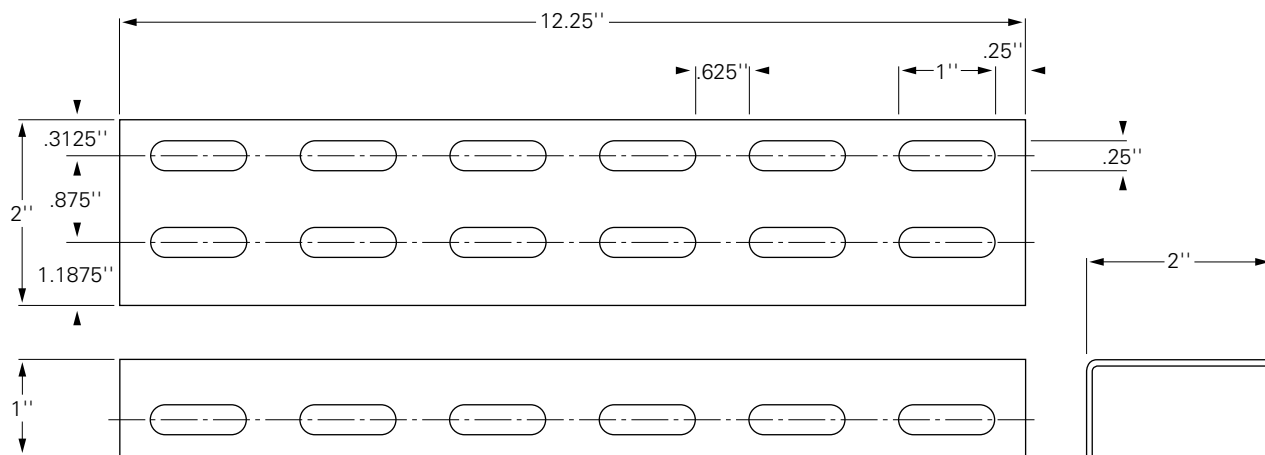
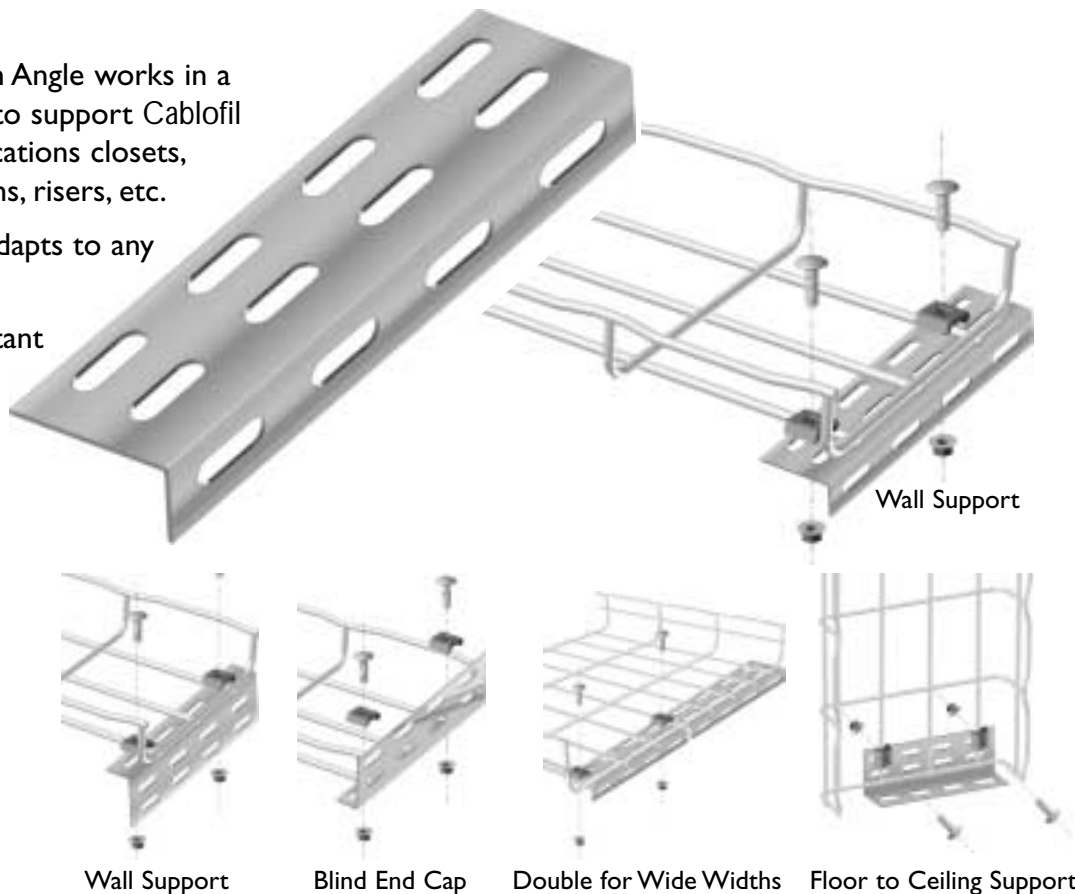


Wall Termination Angle

- Wall Termination Angle works in a variety of ways to support Cablofil in telecommunications closets, equipment rooms, risers, etc.
- Slotted design adapts to any configuration.
- Corrosion resistant pre-galvanized finish.



Part #	Description	lb.	Pk. qty.
HB2	Wall Termination Angle	0.3	1

CABLOFIL INC.
 INNOVATORS IN CABLE MANAGEMENT

tel 314-588-8608
 800-658-4641
 fax 314-588-8611
 www.cablofil.com