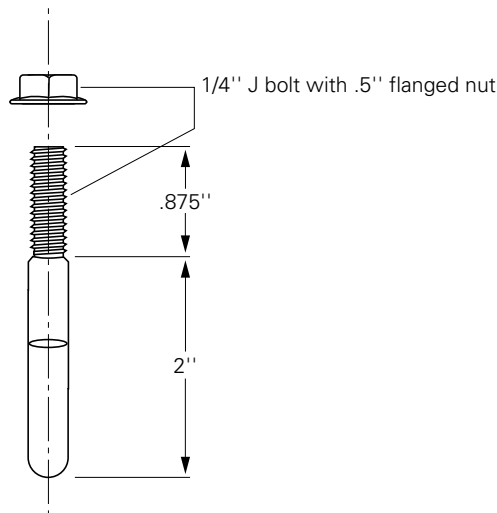
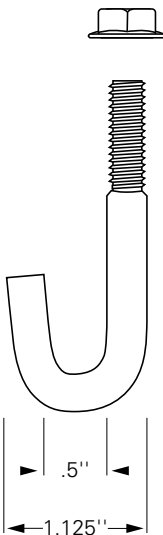
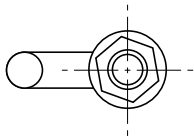
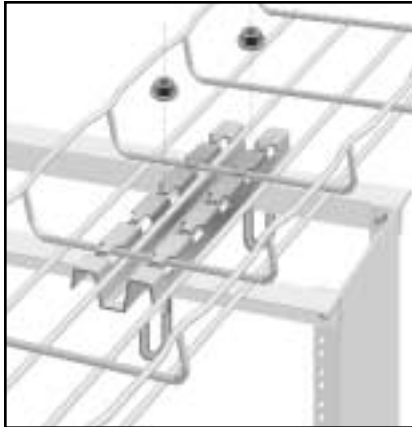
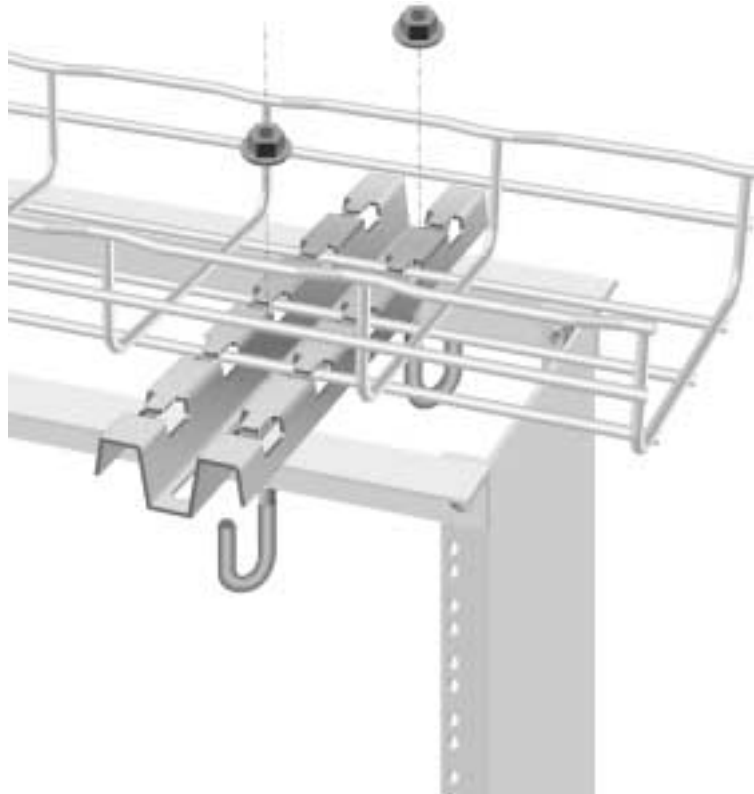


# J-Bolt

- Use this J Bolt in conjunction with a FAS P 200 or FAS P 300 for attachment to and stabilization of a 19" or 23" relay rack.
- No drilling needed. (see drawing)
- Zinc plated finish.



Part #	Description	lb.	Pk. qty.
EZ JB 5/16	5/16" J-Bolts with Nuts	0.1	2

(Note: order FAS P 200 or FAS P 300 separately)

**CABLOFIL**<sup>®</sup>  
NO

INNOVATORS IN CABLE MANAGEMENT

tel 314-588-8608  
800-658-4641  
fax 314-588-8611  
www.cablofil.com